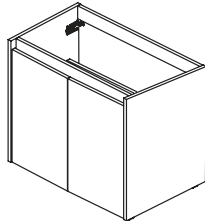
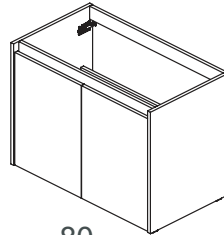


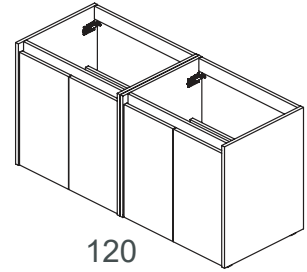
60
23 5/8"



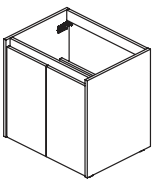
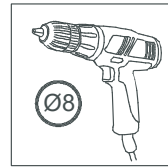
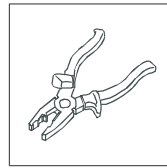
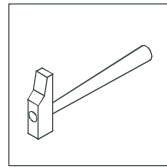
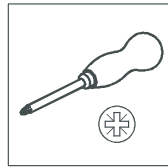
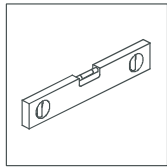
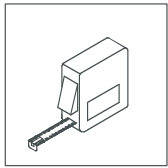
70
27 9/16"



80
31 1/2"



120
47 1/4"



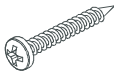
60/70/80/
23 5/8" 27 9/16" 31 1/2"



x2

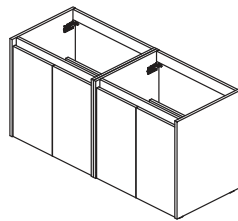


x4



x4

BO-719



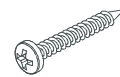
120
47 1/4"



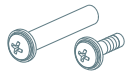
x2



x4



x4



x2

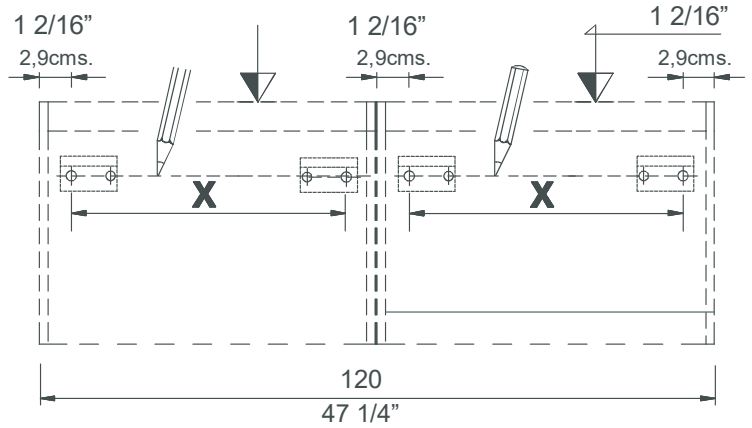
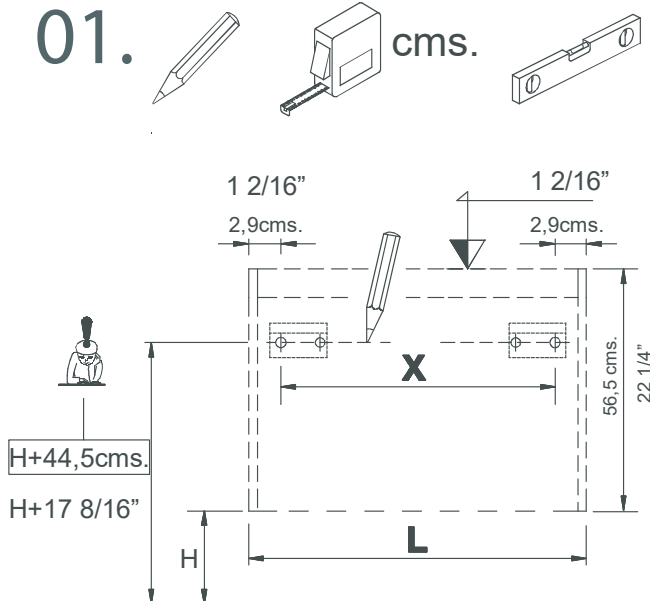
BO-719

BO-266

01.



cms.



L:60cms. → X=53,7cms.
 L:70cms. → X=63,7cms.
 L:80cms. → X=73,7cms.
 L:120cms. → X=53,7cms.

L:23 5/8" → X=21 2/16"
 L:27 9/16" → X=25 1/16"
 L:31 1/2" → X=29 0/16"
 L:47 1/4" → X=21 2/16"

02.



23 5/8" 27 9/16" 31 1/2" 39 3/8"
MLV-60/70/80/100 ——— x2
MLV-120 ——— x4
47 1/4"



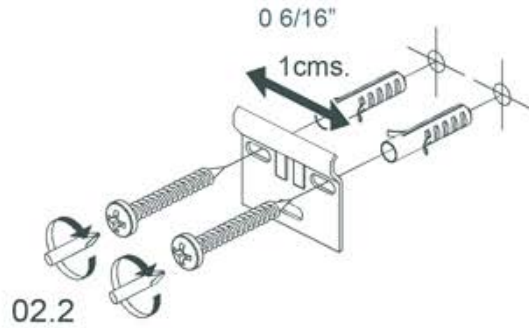
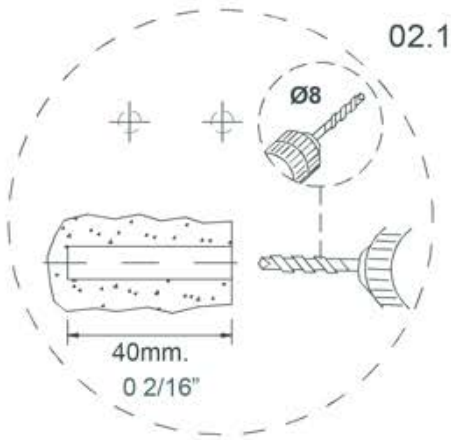
x4

x4

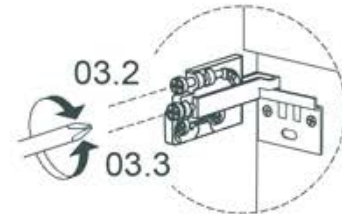
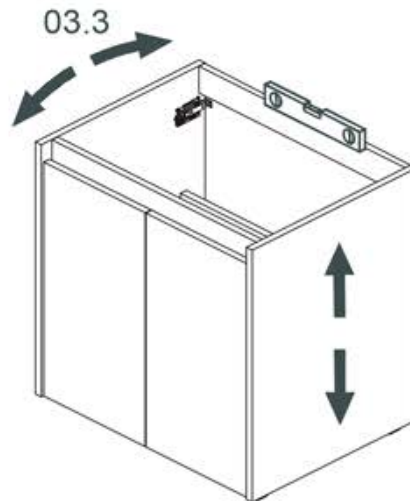
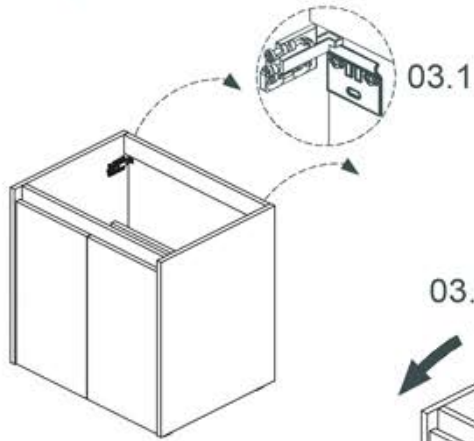
x8

x8

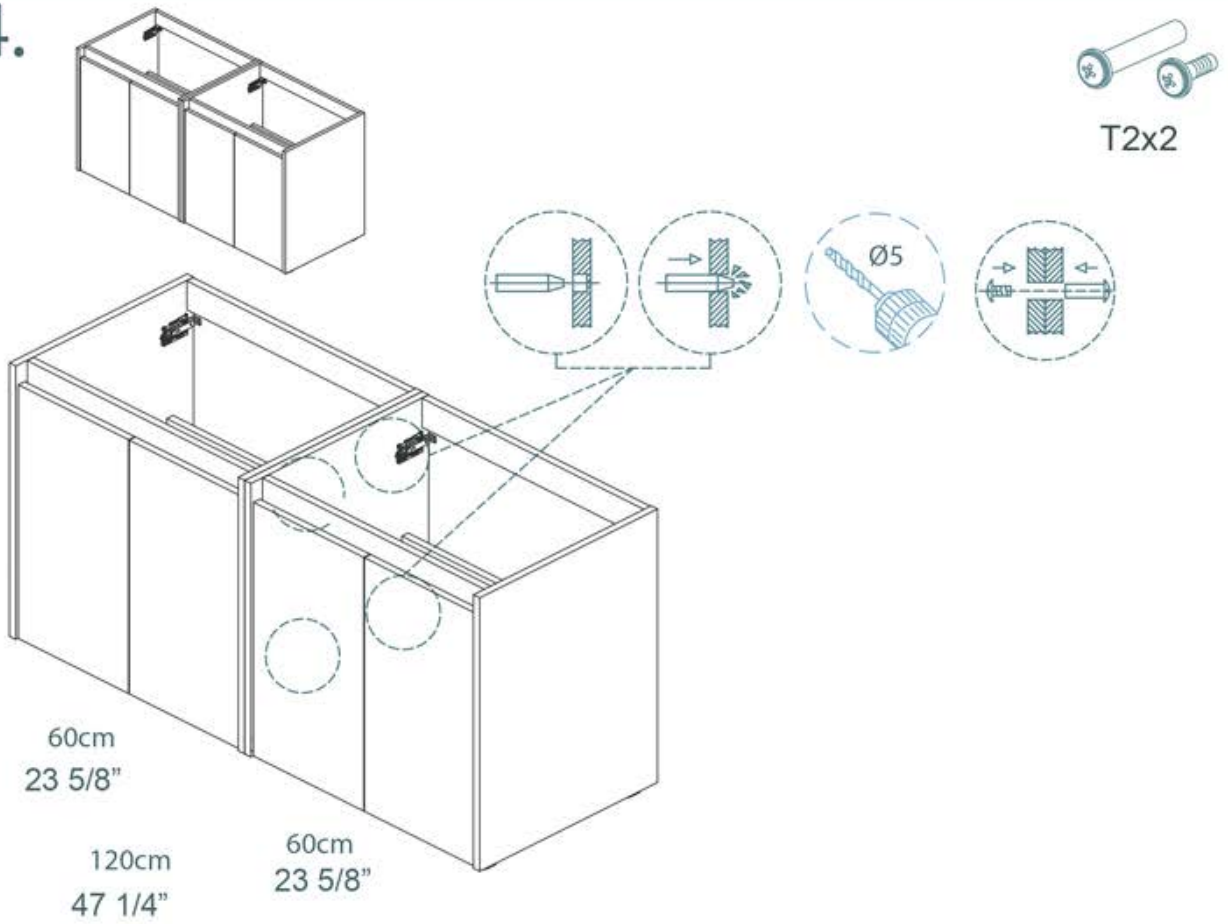
BO-719



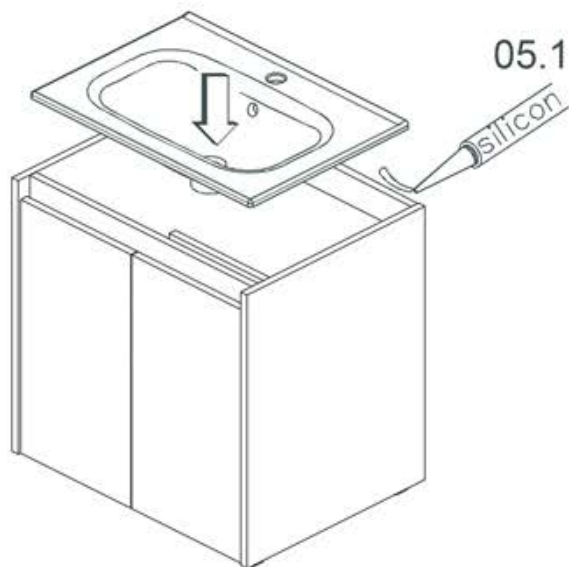
03.



04.



05.



05.2

06.

